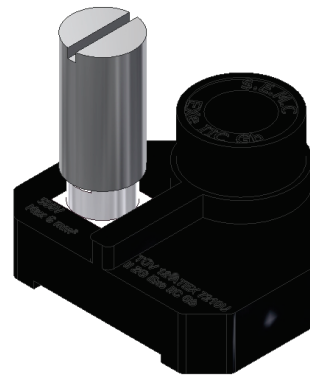


PTB 1

Pillar Terminal Blocks



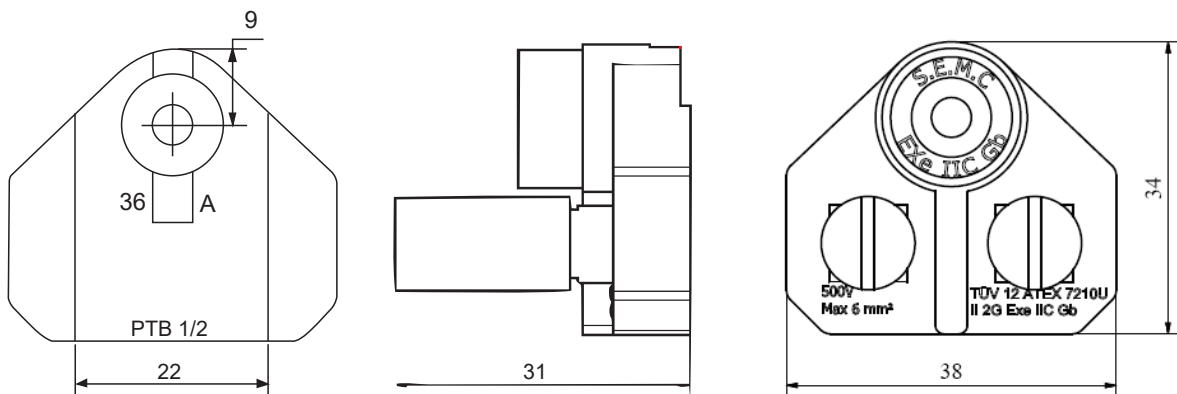
Zone 1,2,21,22



Specification	
TYPE	PTB1
Application	In marshaling enclosure
Protection	Ex e IIC Gb
Marking	⊕ II 2 G
Certificate No.	TÜV 12 ATEX 7210 U
Standards	IEC60079-0 , IEC60079-7
Material	Bakelite
Ambient temperature	Up to 160° C

Maximum numbers of conductors depending on conductor size

Conductor size (mm ²)	Maximum number of conductors
6	3
4	4
4 ≥ 0.5 mm ²	4



All information may be revised or changed by SHOMAL at anytime without prior notice or explanation.